

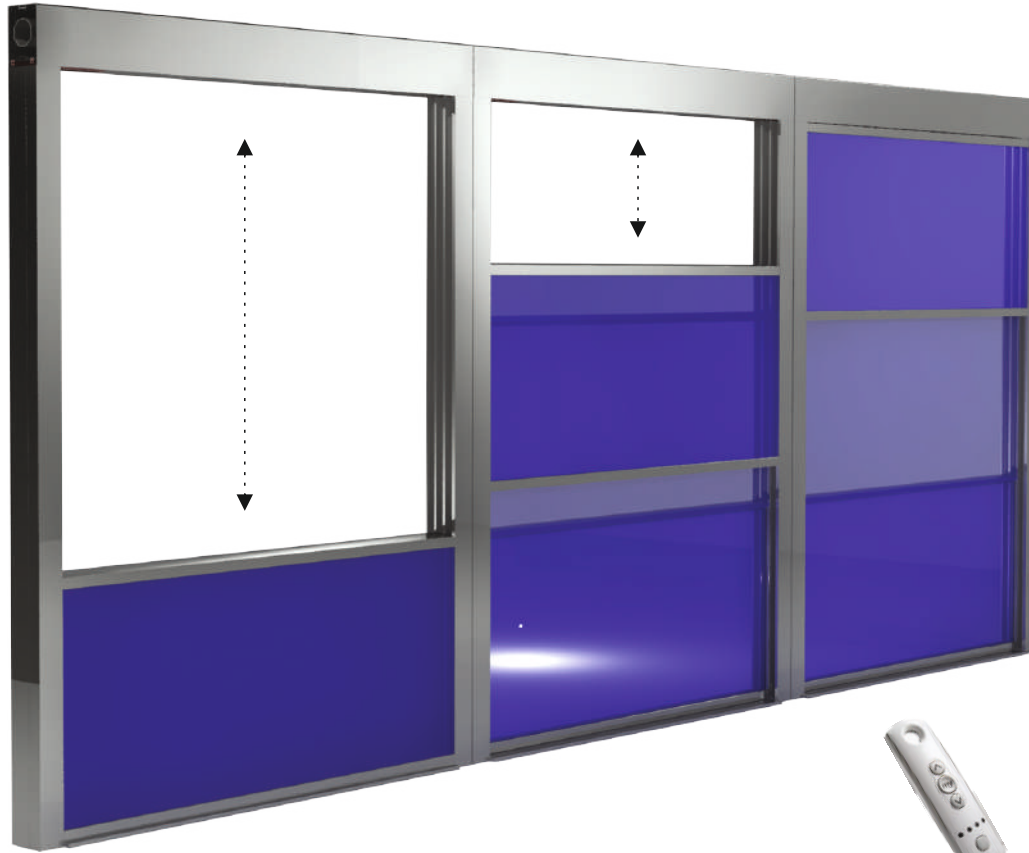
WE CAN  
CREATE PRIVATE AND  
SECURE SPACE FOR YOU

GUILLOTINE  
STANDARD

**GUHHER**<sup>®</sup>  
ALGİBİYUH TEKNOLJİLERİ  
[www.guhher.com](http://www.guhher.com)



THE BEST ENGINES  
THAT WE PROPOSAL TO YOU



[www.guhher.com](http://www.guhher.com)

**GUHHER**<sup>®</sup>  
ALÜMİNYUM TEKNOLOJİLERİ



1700-193  
BEMUS DIRABZAN  
1.130 KG/M



ACCORDING TO CUSTOMER REQUEST  
SYSTEM BOTTOM PROFILE  
1.400 KG/M



BEMUS DİKME  
& KAPATMASI  
2.995 KG/M



1700-178  
BEMUS DİKME  
2.110 KG/M

1700-181  
BEMUS DİKME  
KAPATMASI  
0.885 KG/M



ENGINE PIPE  
(IRON)



1700 - 192  
ENGINE BOX  
1.265 KG/M X 2



1700 - 192  
ENGINE BOX ( SEPARATELY )  
1.265 KG/M (1PIGES )



1700-191  
BEMUS BAZA  
0.505 KG/M



1700-179  
BEMUS BAZA  
0.670 KG/M



1700-194  
BEMUS 8MM - U  
0.395 KG/M



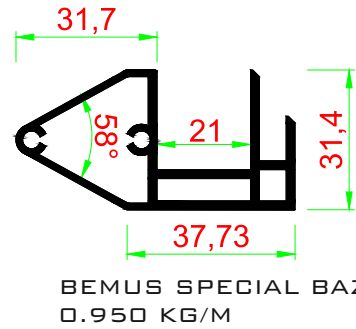
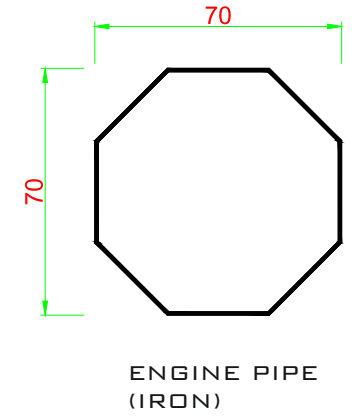
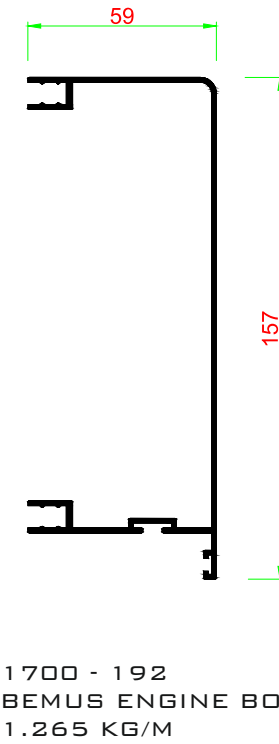
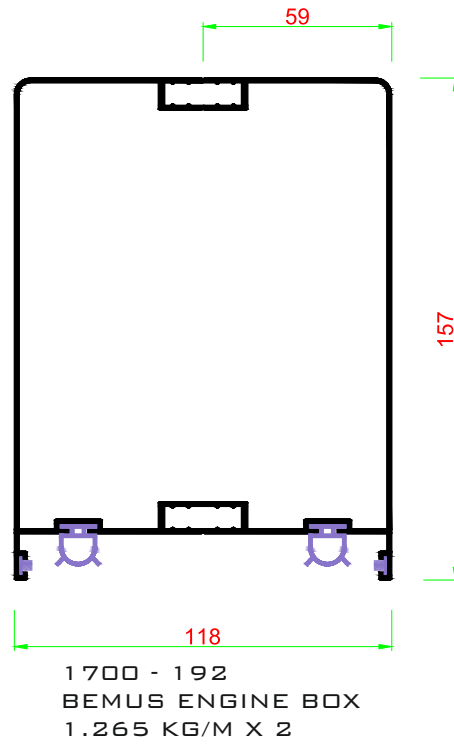
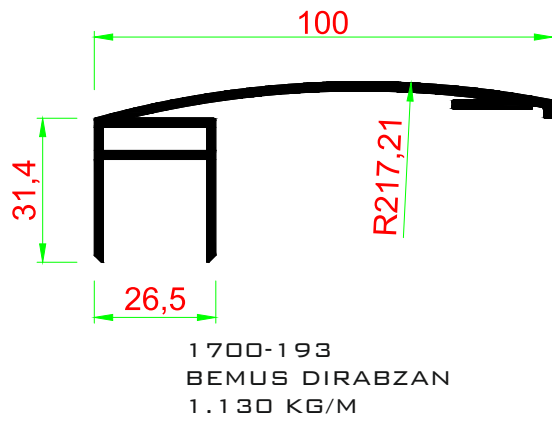
SUITABLE FOR LARGE WIDTHS  
BEMUS SPECIAL BAZA  
0.950 KG/M



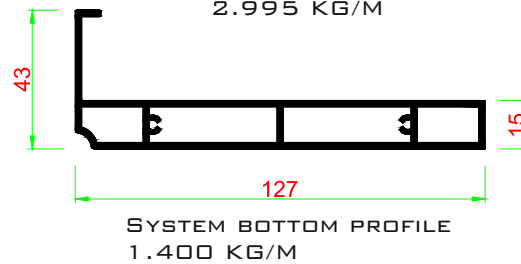
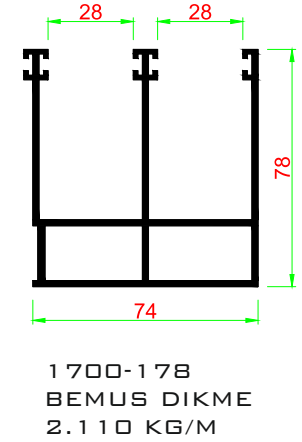
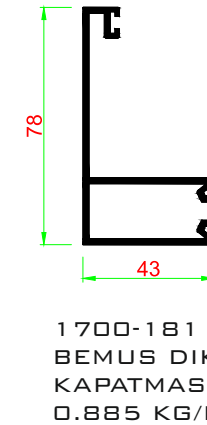
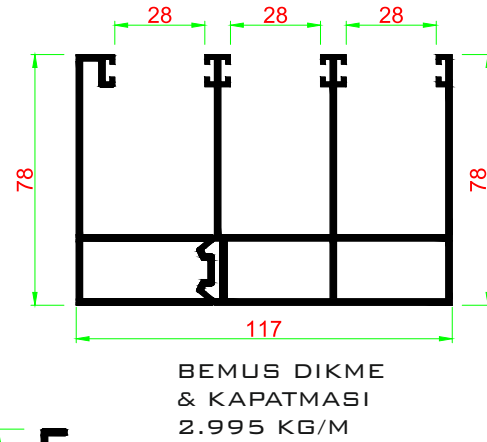
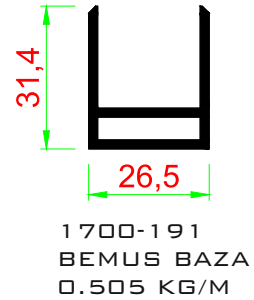
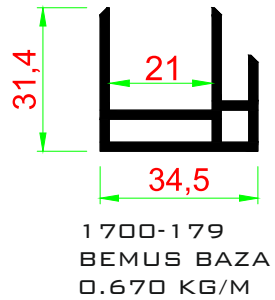
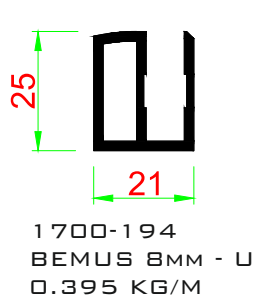
[www.guhher.com](http://www.guhher.com)

ALUMINUM PARTS

**GUHHER**<sup>®</sup>  
ALÜMİNYUM TEKNOLOJİLERİ



SUITABLE FOR LARGE WIDTHS



ACCORDING TO CUSTOMER REQUEST



www.guhher.com

**GUHHER**<sup>®</sup>  
ALÜMİNYUM TEKNOLOJİLERİ

ENGINE BOX

BRISTLE  
CLAY WICK

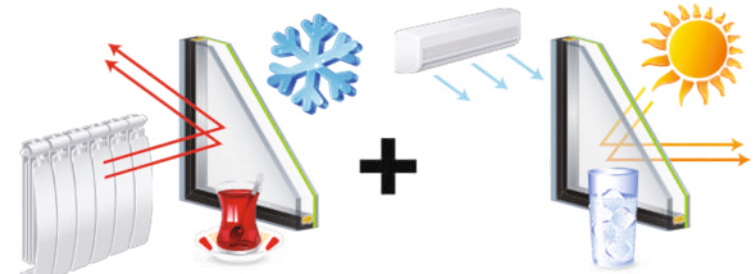
FIXED / MOVABLE  
GLASS / COMPOSITE

GLASS / COMPOSITE  
Attached With Chains

GLASS / COMPOSITE  
Attached With Chains  
FIXED / MOVABLE



ACCESSORIES USED FOR SEAMS FOR SOUND AND AIR



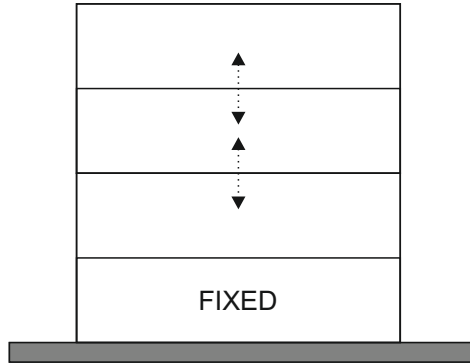
DOUBLE GLAZING



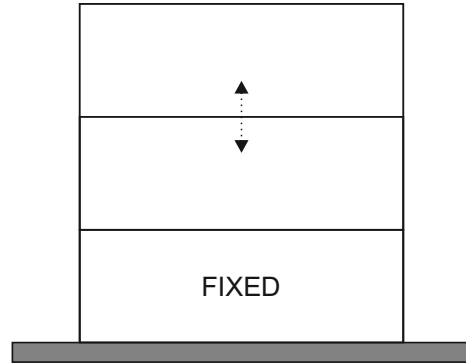
[www.guhher.com](http://www.guhher.com)

**GUHHER**<sup>®</sup>  
ALÜMİNYUM TEKNOLOJİLERİ

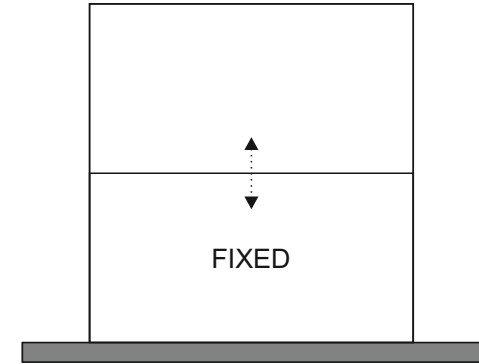
# POSITIONS OF GUILLOTINE SYSTEM



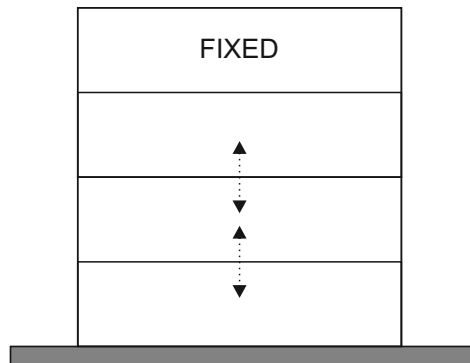
4X PANEL,4X TRACKS  
GLASS / COMPOSITE



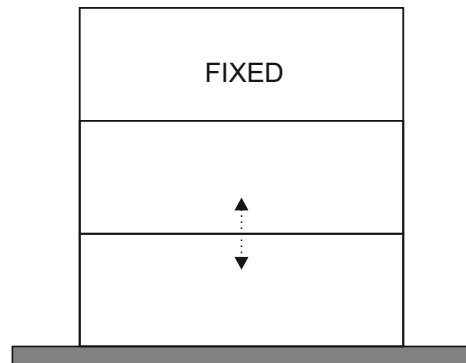
3X PANEL,3X TRACKS  
GLASS / COMPOSITE



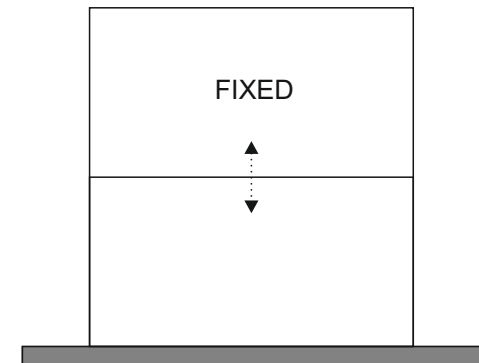
2X PANEL,2X TRACKS  
GLASS / COMPOSITE



4X PANEL,4X TRACKS  
GLASS / COMPOSITE



3X PANEL,3X TRACKS  
GLASS / COMPOSITE



2X PANEL,2X TRACKS  
GLASS / COMPOSITE





[www.guhher.com](http://www.guhher.com)

**GUHHER**  
ALÜMİNYUM TEKNOLOJİLERİ

**GUHHER**<sup>®</sup>  
AL-SHARBIYUN TECHNOLOGIES

